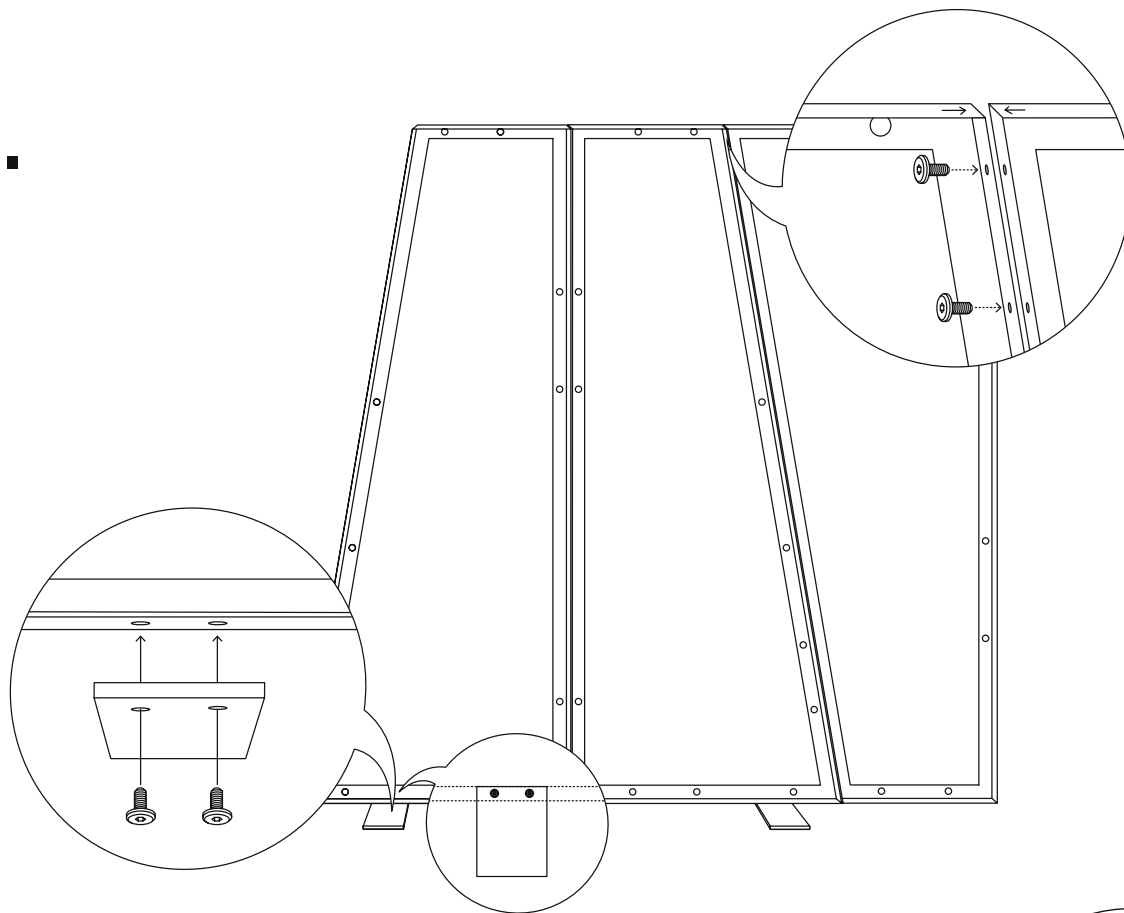


FIT EXPO ELEMENTS

1.



2.

